

## RAIN HARVESTING

by Blue Mountain Co

### DISCLAIMER

You acknowledge and agree that the information, data, advice, opinion, plan or other thing (Material) provided to you by Rain Harvesting Pty Ltd (ABN 11113 300 093) (we, us, our) is provided "as is" without any representation, warranty, indemnity or guarantee as to the performance, accuracy, timeliness, completeness, merchantability or fitness of the Material for any particular purpose or application. The Material may contain errors, mistakes, inaccuracies and may not be complete. We expressly exclude any liability for such performance, accuracy, timeliness, completeness, merchantability or fitness of the Material for any particular purpose or application, to the maximum extent permissible by law. Unless we expressly specify otherwise, we disclaim all responsibility and liability for any third party provided advice or provision of services, or failure to advise or provide services. The disclaimers above are subject to the rights, warranties, guarantees and remedies relating to the provision of services that you have under, and that cannot be excluded, restricted or modified under, the Australian Consumer Law. For more information, please see our Services Purchase Terms at [www.bluemountainco.com.au](http://www.bluemountainco.com.au)

+61 (0)7 3248 9600

[rainharvesting.com.au](http://rainharvesting.com.au)

RAIN HARVESTING  
by Blue Mountain Co

# Tank Screens



## Installation and Specification Guide

### PRODUCT DETAILS

Mosquito-proof your tank inlets without interrupting the flow of water into your tank with our stainless steel 0.955 aperture tank screens.

TASS20	200mm
TATS11	300mm
TATS12	400mm
TASS11	500mm Square Base (Discontinued Item)
TATS02	500mm Round Base

### FEATURES AND BENEFITS

- Mosquito proof 316 stainless steel mesh and 0.955mm aperture.
- AS/NZS 4020:2005 - Testing of products for use in contact with drinking water
- Manufactured from UV stabilised material for longevity.

# Installation

## WHAT'S IN THE BOX?

- Tank Screen

## TOOLS/MATERIALS YOU MAY REQUIRE

- Screws
- Screwdriver or drill

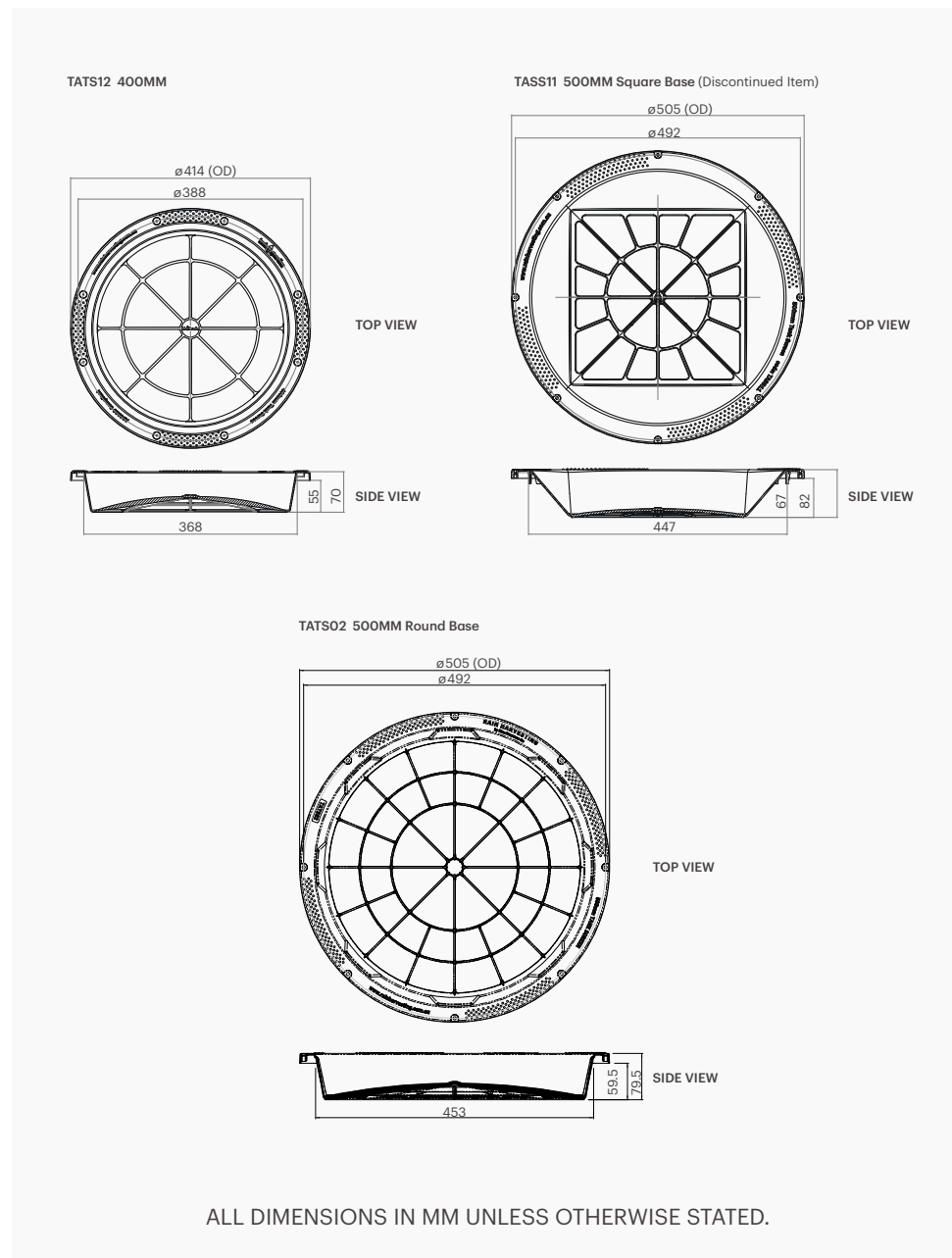
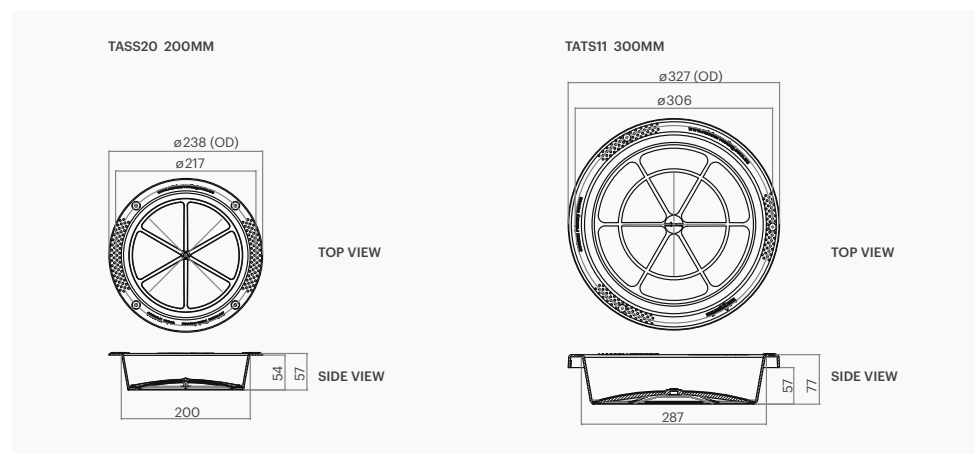
## TANK SCREEN

1. Remove your old tank screen if replacing an old or damaged screen and discard.
2. Place your Tank Screen in the tank inlet hole.
3. Secure the Tank Screen in place by screwing to your tank using the screw location indicators.

## MAINTENANCE

You should regularly inspect your Tank Screen and remove any leaves or debris. For a more thorough clean, unscrew your Tank Screen and hose it off before reattaching to your tank. We recommend covering the hole in your tank while cleaning the screen to prevent mosquitoes getting in. For even easier maintenance, consider using a Maintenance Tray – a second, removable screen with handle that sits on top of your tank screen and captures the majority of leaves and debris for easy removal. Alternatively, you may wish to consider installing a Maelstrom Filter rather than using a Tank Screen and Maintenance Tray.

## PRODUCT DIMENSIONS



## COMPLIANCE

- AS/NZS 4020:2005 - Testing of products for use in contact with drinking water.