

Sliding Gate Valve 100mm



Installation and Specification Guide

PRODUCT DETAILS

Versatile in its application, the Sliding Gate Valve fits 100mm pipes and allows water flow to be shut off.

HW0921 100mm DWV & Stormwater Pipe
Plastic Paddle

HW0923 100mm DWV & Stormwater Pipe
Stainless Steel Paddle

HW0924 100mm Pressure Pipe
Stainless Steel Paddle

- Ergonomically designed handle, allowing for easy opening and closing.
- Manufactured from UV stabilised uPVC with stainless steel hardware.
- Compact and robust design.
- Can be used as a wet system drain valve on rain harvesting systems.
- 100mm female socket fit.
- Plastic Paddle version is suitable for drainage applications, i.e. emptying a charged rainwater harvesting system.
- Stainless Steel Paddle version has the strength to close off during mid flow (mid-flow closing pressure 60kPa). Ideal for applications where an active water flow needs to be shut-off or diverted.

FEATURES AND BENEFITS

- Suitable for low pressure applications (sealing pressure rated to 210kPa).

Installation

WHAT'S IN THE BOX?

- Sliding Gate Valve

TOOLS/MATERIALS YOU MAY REQUIRE

- Marker Pen
- Tape Measure
- Saw
- Solvent weld glue
- Priming fluid

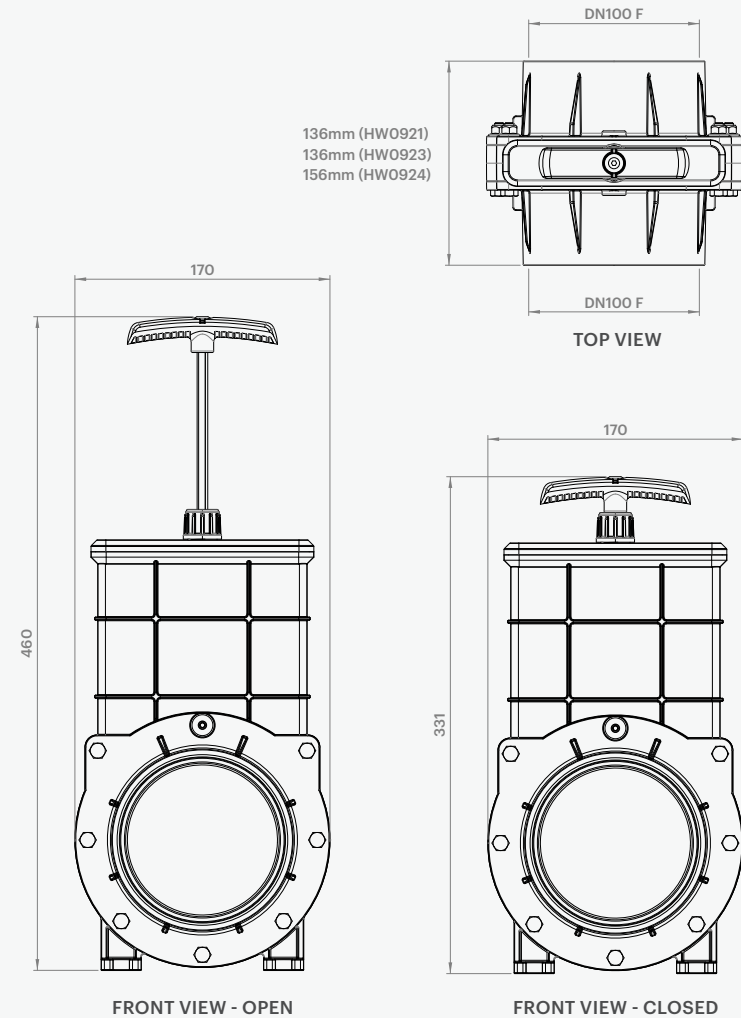
SLIDING GATE VALVE

1. Select your desired installation point. The Sliding Gate Valve can be installed in the vertical or horizontal position.
2. Measure and remove a 38mm section of pipe at your desired installation point. Ensure all cut edges are clean and smooth.
3. Use priming fluid to clean inside the sockets of the Sliding Gate Valve and outside of the pipes you will be gluing the valve to.
4. Apply solvent weld glue first to inside the sockets of the Sliding Gate Valve and then to the outside of the pipes, bring together and ensure pipes are inserted fully into the sockets of the Sliding Gate Valve. Hold for a minimum of 60 seconds or until secure.

SPECIFICATIONS

Pressure Ratings	Size	Paddle Type	Max Pressure (kPa)	Mid Flow Max Closing Pressure (kPa)
HW0921	100mm DWV	Plastic Paddle	210	5
HW0923	100mm DWV	Stainless Steel Paddle	210	60
HW0924	100mm Pressure	Stainless Steel Paddle	210	60

PRODUCT DIMENSIONS



ALL DIMENSIONS IN MM UNLESS OTHERWISE STATED.

Pipe Fitment

HW0921	DN100 F (socket)	100mm DWV / Stormwater pipe fits inside
HW0923	DN100 F (socket)	100mm DWV / Stormwater pipe fits inside
HW0924	DN100 F (socket)	100mm Pressure pipe fits inside