

RAIN HARVESTING
by Blue Mountain Co

RAIN HARVESTING
by Blue Mountain Co

Mozzie Stoppa

Advanced and Advanced Max Flow Insect Proof Screens



Installation and Specification Guide

PRODUCT DETAILS

Mozzie Stoppa Advanced improves water quality by keeping pests out of the rainwater tank and allowing the tank water to breathe. The screen is removable to make maintenance and cleaning easy. The Mozzie Stoppa Advanced Max Flow allows higher flow rates by increasing the open area of mesh in your system.

TATO70	90mm	Mozzie Stoppa Advanced
TATO71	100mm	Mozzie Stoppa Advanced
TATO72	150mm	Mozzie Stoppa Advanced
TATO73	90mm	Mozzie Stoppa Advanced Max Flow
TATO74	100mm	Mozzie Stoppa Advanced Max Flow

FEATURES AND BENEFITS

- Prevents pests from entering the tank via the overflow
- Allows the tank water to breathe
- Fits directly to 90mm, 100mm or 100mm pipes, sockets or tank overflows
- Removable 0.955mm stainless steel screen

Installation

WHAT'S IN THE BOX?

- Mozzie Stoppa Advanced
- Max Flow adaptors (Max Flow kits only)
- Socket to Socket adaptor

TOOLS/MATERIALS YOU MAY REQUIRE

- Tape measure
- Marker pen
- Saw
- Solvent weld glue (optional)

MOZZIE STOPPA ADVANCED

1. Select an installation point for your Mozzie Stoppa Advanced. As it will require regular maintenance, we recommend installing in a position that allows for easy access and cleaning. In most cases, the best position will be directly into the overflow outlet of your tank with the handle pointing upwards. Also ensure that the installation position allows the handle to be removed fully.
2. If necessary, measure and remove a section of pipe leaving a gap between your overflow outlet and overflow pipe. For a Mozzie Stoppa Advanced 90mm, we recommend removing approximately 22mm. For a Mozzie Stoppa Advanced 100mm, we recommend removing approximately 24mm. And for the 150mm version, we recommend removing approximately 28mm. Once the pipes are cut, ensure the edges are clean and smooth.
NOTE: If adaptors are being used to adjust the pipe diameter, the recommended length for cutting out pipe will vary – measure with the adaptors in place.
3. Prior to gluing, remove the Mozzie Stoppa Advanced mesh cartridge, so that there is no chance of glue getting on the mesh.
4. Use solvent weld glue to install the Mozzie Stoppa Advanced into the gap you made in Step 2, between your overflow outlet and overflow pipe.
5. Once the solvent weld glue has dried, re-install your mesh cartridge into the Mozzie Stoppa Advanced body to secure your system and prevent pests from entering your tank.

MOZZIE STOPPA ADVANCED MAX FLOW

1. Select an installation point for your Mozzie Stoppa Advanced Max Flow. As it will require regular maintenance, we recommend installing in a position that allows for easy access and cleaning. In most cases, the best position will be directly into the overflow outlet of your tank with the handle pointing upwards. Also ensure that the installation position allows the handle to be removed fully.
2. If necessary, measure and remove a section of pipe leaving a gap between your overflow outlet and overflow pipe. For a Mozzie Stoppa Advanced Max Flow 90mm, we recommend removing approximately 128mm. And for the 100mm version, we recommend removing approximately 216mm. Once the pipes are cut, ensure the edges are clean and smooth.
3. Prior to gluing, remove the Mozzie Stoppa Advanced mesh cartridge, so that there is no chance of glue getting on the mesh.
4. Glue the Mozzie Stoppa Advanced body into the provided Max Flow adaptors. Ideally the indicators on the adaptors should line up with the corresponding indicators on the Mozzie Stoppa Advanced body.
NOTE: The taper of the Max Flow adaptors should allow water to flow unrestricted through the Mozzie Stoppa. See the dimensional drawing and product photo for reference.
5. Use solvent weld glue to install the Mozzie Stoppa Advanced Max Flow into the gap you made in Step 2, between your overflow outlet and overflow pipe.
6. Once the solvent weld glue has dried, re-install your mesh cartridge into the Mozzie Stoppa Advanced body to secure your system and prevent pests from entering your tank.

MAINTENANCE

Your Mozzie Stoppa Advanced is designed to make maintenance and cleaning easy. Remove the mesh cartridge by pulling the handle directly out of the body. Replace the mesh cartridge immediately after cleaning by firmly inserting it back into the corresponding slot in the body so it continues to form a barrier against mosquitoes, frogs and pests. Periodically inspect the mesh cartridge o-ring to ensure that the system seal is still performing optimally.

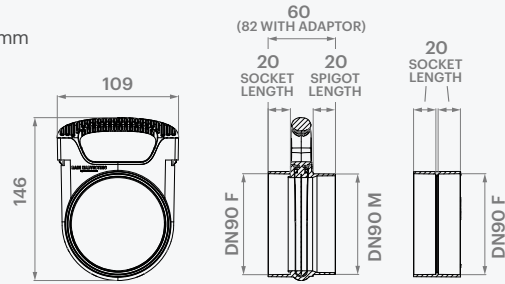
COMPLIANCE

- AS/NZS 4020:2005 – Testing of products for use in contact with drinking water
-

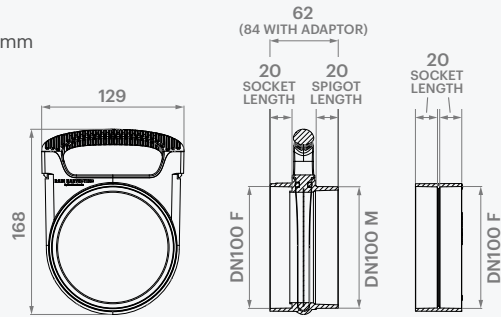
PRODUCT DIMENSIONS

Mozzie Stoppa Advanced

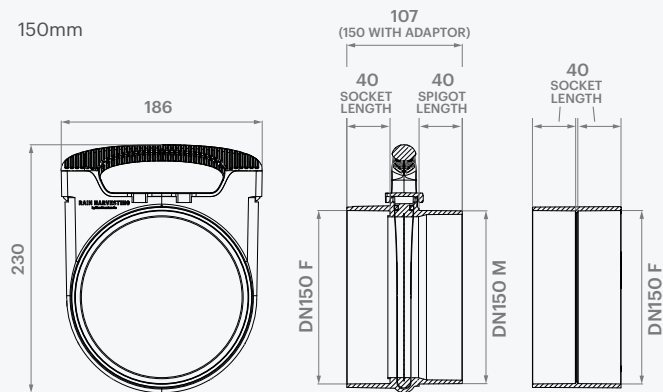
TATO70 90mm



TATO71 100mm



TATO72 150mm

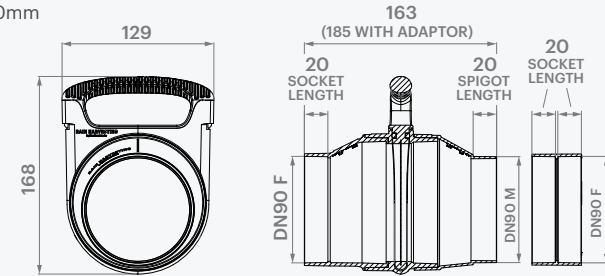


ALL DIMENSIONS IN MM UNLESS OTHERWISE STATED.

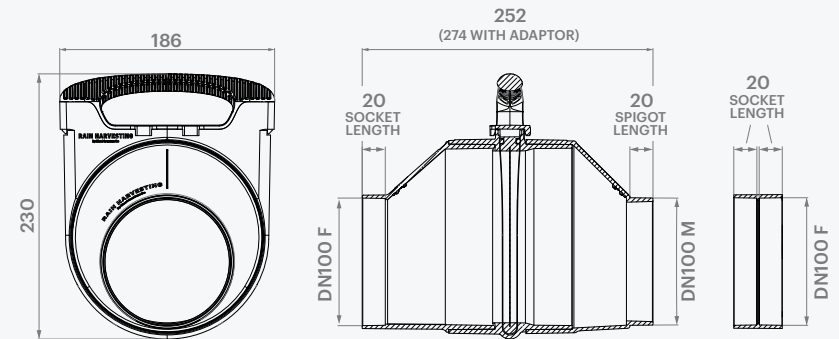
PRODUCT DIMENSIONS

Mozzie Stoppa Advanced Max Flow

TATO73 90mm



TATO74 100mm



Pipe Fitment

TATO70	DN90 F (socket)	90mm pipe fits inside	TATO73	DN90 F (socket)	90mm pipe fits inside
	DN90 M	Fits into 90mm socket		DN90 M	Fits into 90mm socket
TATO71	DN100 F (socket)	100mm pipe fits inside	TATO74	DN100 F (socket)	100mm pipe fits inside
	DN100 M	Fits into 100mm socket		DN100 M	Fits into 100mm socket
TATO72	DN150 F (socket)	150mm pipe fits inside			
	DN150 M	Fits into 150mm socket			

ALL DIMENSIONS IN MM UNLESS OTHERWISE STATED.

DISCLAIMER This product specification is not a complete guide to product usage. Further information is available from Rain Harvesting Pty Ltd and from the Installation and Operating Instructions. This specification sheet must be read in conjunction with the Installation and Operating Instructions and all applicable statutory requirement. Product specifications may change without notice. © Rain Harvesting Pty Ltd