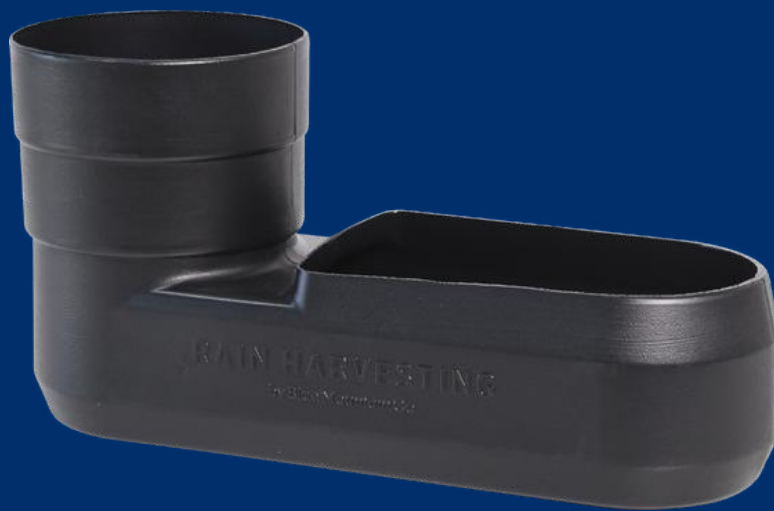


RAIN HARVESTING

by Blue Mountain Co

Calmed Inlet



Installation and Specification Guide

PRODUCT DETAILS

Prevent sediment being stirred up and resuspended by calming the inflow of water into your tank. Without a Calmed Inlet, the inbound water can stir up the sediment at the base of the tank, especially if the water level is low.

This reduces the quality of the water you're about to use. The Calmed Inlet softens the flow to prevent this issue so you always have clear, fresh water ready for use.

Code	Size	Country
CALM01	100mm	Australia
CALM01	4"	USA
CALM01	100mm	New Zealand
CALM01	110mm	UK
CALM01	105/110	Europe
CALM01	110mm	South Africa
CALM01	110mm	India

Installation

WHAT'S IN THE BOX?

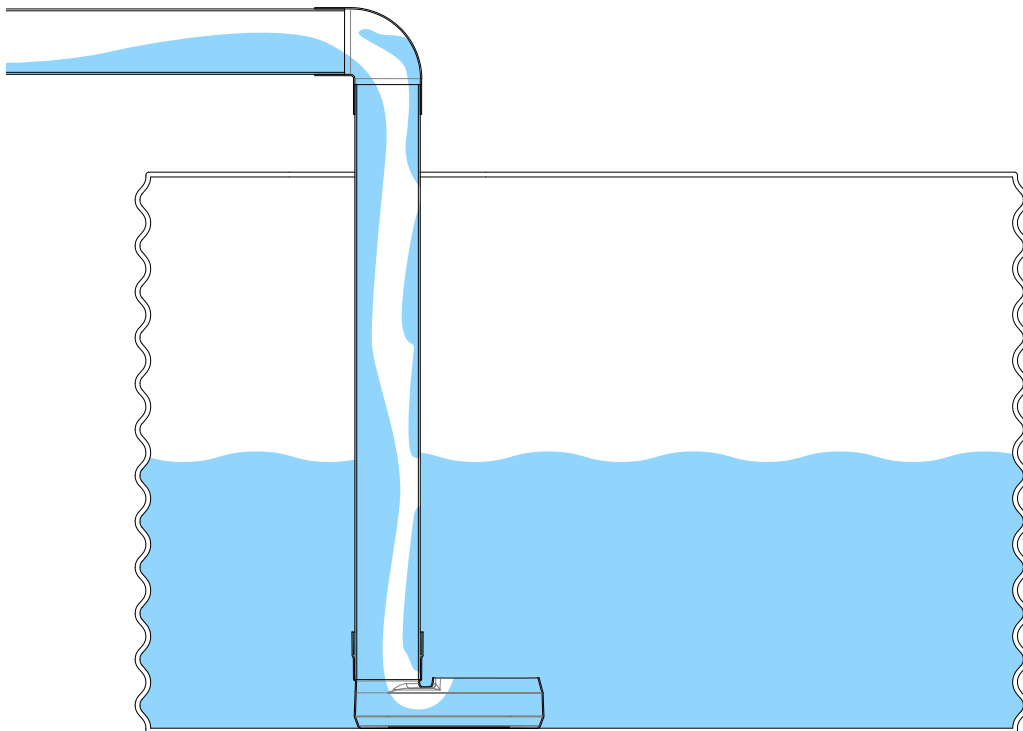
- Calmed Inlet

TOOLS/MATERIALS YOU MAY REQUIRE

- Tape measure
- Marker pen
- Saw
- Solvent weld glue
- Screws
- Drill or screwdriver
- 100mm / 4" pipe

HOW IT WORKS

Allows the calm and easy entry of water into your rain barrel to avoid redistributing any accumulated sediment.

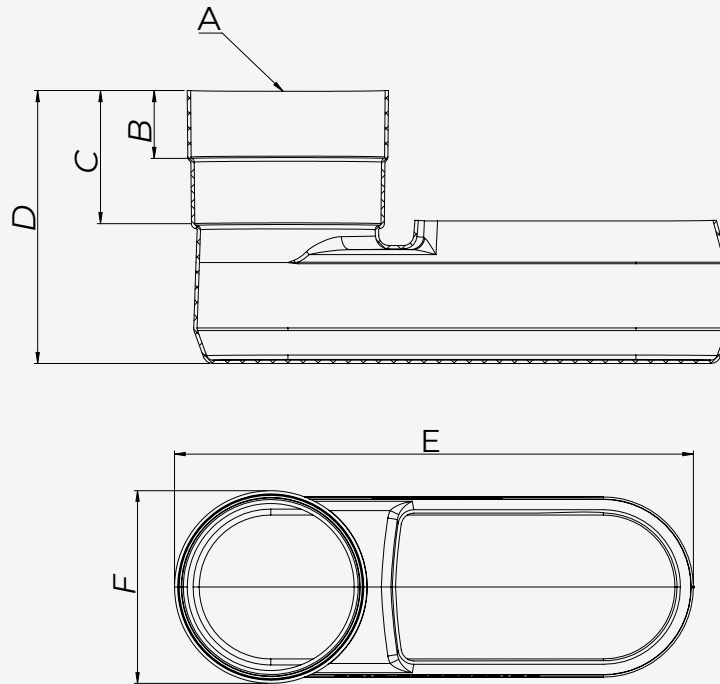


INSTALLATION

- 1 - Prepare your tank for installation of your Calmed Inlet. Remove your tank cover if you have one. Installing your Calmed Inlet is easier with an empty tank, but it is not essential.
- 2 - Measure the distance from your tank inlet to the bottom of your tank. This will allow you to calculate the length of pipe required to mount in between your tank inlet and the calmed inlet. Make sure you use enough pipe so that the calmed inlet sits flat on the bottom of the tank.
- 3 - Cut your inlet pipe and ensure both ends are clean and free from burrs and sharp edges.
- 4 - Install the calmed inlet onto the end of the pipe that will sit inside the tank. Make sure to press the pipe firmly into the socket on the calmed inlet. If required, you can install a screw through the socket of the calmed inlet and into the pipe for extra secure fitment
- 5 - Place the calmed inlet in position on the bottom of the tank with the pipe rising towards the connection above your tank inlet.
- 6 - Glue the other end of the pipe into your inlet pipe fitting.

Product Specifications

Calmed Inlet



Dimensions & Pipe Fittings

COUNTRY	CODE	A	B	C	D	E	F
Australia & New Zealand	CALM01	100 F	-	79	175	323	120
USA	CALM01	4"SCH40 F	1.60"	-	6.89"	12.72"	4.72"
UK, South Africa & India	CALM01	110F	-	79	175	323	120
Europe	CALM01	105 F	-	79	175	323	120
		110 F	-	79	175	323	120

All dimensions are in mm unless otherwise stated.

Fitting guide:

F = Female / Socket Fitting

M = Male / Spigot Fitting (Pipe size)

IP = In-Pipe Fitting

Maintenance

When properly installed, your Calmed Inlet should be maintenance-free.



A common misconception about collecting rainwater is that all you need is a roof, a tank and some rain. This 'tanking' approach cannot always be relied on to deliver the volume – or quality – of water that you require. That is where we can help.

With some thought, your rain harvesting system can provide you with cleaner water and lots of it. Whether you're completely reliant on tank water or wanting to keep the garden green, our simple steps will help you achieve your goal.

The Rain Harvesting approach to rainwater collection involves using tested and proven products to make quality rainwater available for use in and around your property. You don't need much to get started and you will be surprised how easy it is to get the most out of your rainwater system.

[How can we help you?](#)

DISCLAIMER This product specification is not a complete guide to product usage. Further information is available from Rain Harvesting Pty Ltd and from the Installation and Operating Instructions. This specification sheet must be read in conjunction with the Installation and Operating Instructions and all applicable statutory requirement. Product specifications may change without notice. © Rain Harvesting Pty Ltd

RAIN HARVESTING

by Blue Mountain Co

For more information or to find out
how we can help, just give us a call on

+61 7 3248 9600

Or visit our website at

rainharvesting.com